



FTTH
EQUIPMENT
PRODUCT
CATALOG

High Quality is Our Obligation

CATALOGUE

Catlogue	1
Plastic Distribution Boxes	2
SMC Distribution Boxes	10
Metal Distribution Boxes	12
Plastic Splitter Boxes	15
SMC Splitter Boxes	20
Metal Splitter Boxes	22
Fiber Optic Cross Connect Cabintes	23
Fiber Optic Distribution Modules	28
Fiber Optic Splice Trays	31
Metal Network Cabinets	33
Fiber Optic Patch Panels & ODFs	41
Fiber Optic Terminal Boxes	43
Fiber Optic Splice Closures	46
Fiber Optic Splitters	51
Fiber Optic Patch Cords & Pigtails	53
Fiber Optic Adapters	54
Main Distribution Frame(MDF) Components	57
Structured Cabling	62

Zion's fiber optic distribution boxes are used as a termination point for the feeder cable to connect with drop cable in FTTx communication network system. Fiber splicing, splitting, distribution can be done in the boxes. Various dimensions and capacities are available.

- Indoor & Outdoor
- Cost-effective solution
- Light and easy installation
- Short lead time

Plastic Distribution Boxes

DBP02A - 2 Fibers - Indoor & Outdoor

Dimensions and Parameters

Adapter Capacity (Fiber Count)	LC Duplex / SC Simplex 2
Dimensions (W*H*D, mm)	175x122x31
Number of Cable Entrance(s) and Exit(s)	1/1
Weight (g)	185
Optional Accessories	Adapters, Pigtails, Heat-shrink tubes
Installation (Wall-mounted/Pole-mounting)	Wall-mounted



DBP02B - 2 Fibers - Indoor & Outdoor

Dimensions and Parameters

Adapter Capacity (Fiber Count)	LC Duplex / SC Simplex 2
Dimensions (W*H*D, mm)	170x150x40
Number of Cable Entrance(s) and Exit(s)	1/2
Weight (g)	215
Optional Accessories	Adapters, Pigtails, Heat-shrink tubes
Installation (Wall-mounted/Pole-mounting)	Wall-mounted



DBP02C - 2 Fibers - Indoor & Outdoor

Dimensions and Parameters

Adapter Capacity (Fiber Count)	LC Duplex / SC Simplex 2
Dimensions (W*H*D, mm)	210x165x53
Number of Cable Entrance(s) and Exit(s)	1/1
Weight (g)	534
Optional Accessories	Adapters, Pigtails, Heat-shrink tubes
Installation (Wall-mounted/Pole-mounting)	Wall-mounted



DBP02D - 2 Fibers - Indoor



Dimensions and Parameters

Adapter Capacity (Fiber Count)	LC Duplex / SC Simplex
	2
Dimensions (W*H*D, mm)	86x86x18
Number of Cable Entrance(s) and Exit(s)	1/1
Weight (g)	45
Optional Accessories	Adapters, Pigtails, Heat-shrink tubes
Installation (Wall-mounted/Pole-mounting)	Wall-mounted

DBP04A - 4 Fibers - Indoor & Outdoor



Dimensions and Parameters

Adapter Capacity (Fiber Count)	LC Duplex / SC Simplex
	4
Dimensions (W*H*D, mm)	205x135x40
Number of Cable Entrance(s) and Exit(s)	1/4
Weight (g)	238
Optional Accessories	Adapters, Pigtails, Heat-shrink tubes
Installation (Wall-mounted/Pole-mounting)	Wall-mounted

DBP04B - 4 Fibers - Indoor



Dimensions and Parameters

Adapter Capacity (Fiber Count)	LC Duplex / SC Simplex
	4
Dimensions (W*H*D, mm)	150x110x33
Number of Cable Entrance(s) and Exit(s)	2/2
Weight (g)	123
Optional Accessories	Adapters, Pigtails, Heat-shrink tubes
Installation (Wall-mounted/Pole-mounting)	Wall-mounted

DBP08A - 8 Fibers - Indoor & Outdoor



Dimensions and Parameters

Adapter Capacity (Fiber Count)	LC Duplex / SC Simplex
	8
Dimensions (W*H*D, mm)	215x220x55
Number of Cable Entrance(s) and Exit(s)	2/8
Weight (g)	576
Optional Accessories	Adapters, Pigtails, Heat-shrink tubes
Installation (Wall-mounted/Pole-mounting)	Wall-mounted

DBP08B - 8 Fibers - Indoor & Outdoor

Dimensions and Parameters

Adapter Capacity (Fiber Count)	LC Duplex / SC Simplex 8
Dimensions (W*H*D, mm)	205x170x45
Number of Cable Entrance(s) and Exit(s)	1/2
Weight (g)	407
Optional Accessories	Adapters, Pigtails, Heat-shrink tubes
Installation (Wall-mounted/Pole-mounting)	Wall-mounted



DBP08C - 8 Fibers - Indoor

Dimensions and Parameters

Adapter Capacity (Fiber Count)	LC Duplex / SC Simplex 8
Dimensions (W*H*D, mm)	170x125x43
Number of Cable Entrance(s) and Exit(s)	1/4
Weight (g)	191
Optional Accessories	Adapters, Pigtails, Heat-shrink tubes
Installation (Wall-mounted/Pole-mounting)	Wall-mounted



DBP12A - 12 Fibers - Indoor & Outdoor

Dimensions and Parameters

Adapter Capacity (Fiber Count)	LC Duplex / SC Simplex 12
Dimensions (W*H*D, mm)	290x250x90
Number of Cable Entrance(s) and Exit(s)	2/1
Weight (g)	845
Optional Accessories	Adapters, Pigtails, Heat-shrink tubes
Installation (Wall-mounted/Pole-mounting)	Wall-mounted



DBP12B - 12 Fibers - Indoor & Outdoor

Dimensions and Parameters

Adapter Capacity (Fiber Count)	LC Duplex / SC Simplex 12
Dimensions (W*H*D, mm)	235x212x70
Number of Cable Entrance(s) and Exit(s)	2/12
Weight (g)	815
Optional Accessories	Adapters, Pigtails, Heat-shrink tubes
Installation (Wall-mounted/Pole-mounting)	Wall-mounted



DBP12C - 12 Fibers - Indoor & Outdoor



Dimensions and Parameters

Adapter Capacity (Fiber Count)	LC Duplex / SC Simplex 12
Dimensions (W*H*D, mm)	255x230x70
Number of Cable Entrance(s) and Exit(s)	1/1
Weight (g)	873
Optional Accessories	Adapters, Pigtailed, Heat-shrink tubes
Installation (Wall-mounted/Pole-mounting)	Wall-mounted/Pole-mounting

DBP12D - 12 Fibers - Indoor & Outdoor



Dimensions and Parameters

Adapter Capacity (Fiber Count)	LC Duplex / SC Simplex 12
Dimensions (W*H*D, mm)	300x270x93
Number of Cable Entrance(s) and Exit(s)	2/16
Weight (g)	1190
Optional Accessories	Adapters, Pigtailed, Heat-shrink tubes
Installation (Wall-mounted/Pole-mounting)	Wall-mounted/Pole-mounting

DBP12E - 12 Fibers - Indoor & Outdoor



Dimensions and Parameters

Adapter Capacity (Fiber Count)	LC Duplex / SC Simplex 12
Dimensions (W*H*D, mm)	220x203x50
Number of Cable Entrance(s) and Exit(s)	1/2
Weight (g)	455
Optional Accessories	Adapters, Pigtailed, Heat-shrink tubes
Installation (Wall-mounted/Pole-mounting)	Wall-mounted

DBP12F - 12 Fibers - Indoor & Outdoor



Dimensions and Parameters

Adapter Capacity (Fiber Count)	LC Duplex / SC Simplex 12
Dimensions (W*H*D, mm)	310x240x85
Number of Cable Entrance(s) and Exit(s)	2/2
Weight (g)	1272
Optional Accessories	Adapters, Pigtailed, Heat-shrink tubes
Installation (Wall-mounted/Pole-mounting)	Wall-mounted/Pole-mounting

DBP16A - 16 Fibers - Indoor & Outdoor

Dimensions and Parameters

Adapter Capacity (Fiber Count)	LC Duplex / SC Simplex
	16
Dimensions (W*H*D, mm)	300x270x93
Number of Cable Entrance(s) and Exit(s)	2/16
Weight (g)	1243
Optional Accessories	Adapters, Pigtails, Heat-shrink tubes
Installation (Wall-mounted/Pole-mounting)	Wall-mounted/Pole-mounting



DBP16B - 16 Fibers - Indoor & Outdoor

Dimensions and Parameters

Adapter Capacity (Fiber Count)	LC Duplex / SC Simplex
	16
Dimensions (W*H*D, mm)	315x235x100
Number of Cable Entrance(s) and Exit(s)	2/16
Weight (g)	1507
Optional Accessories	Adapters, Pigtails, Heat-shrink tubes
Installation (Wall-mounted/Pole-mounting)	Wall-mounted/Pole-mounting



DBP24A - 24 Fibers - Indoor & Outdoor

Dimensions and Parameters

Adapter Capacity (Fiber Count)	LC Duplex / SC Simplex
	24
Dimensions (W*H*D, mm)	350x275x100
Number of Cable Entrance(s) and Exit(s)	2/24
Weight (g)	1220
Optional Accessories	Adapters, Pigtails, Heat-shrink tubes
Installation (Wall-mounted/Pole-mounting)	Wall-mounted/Pole-mounting



DBP24B - 24 Fibers - Indoor & Outdoor

Dimensions and Parameters

Adapter Capacity (Fiber Count)	LC Duplex / SC Simplex
	24
Dimensions (W*H*D, mm)	340x295x130
Number of Cable Entrance(s) and Exit(s)	2/2
Weight (g)	1515
Optional Accessories	Adapters, Pigtails, Heat-shrink tubes
Installation (Wall-mounted/Pole-mounting)	Wall-mounted/Pole-mounting



DBP24C - 24 Fibers - Indoor & Outdoor



Dimensions and Parameters

Adapter Capacity (Fiber Count)	LC Duplex / SC Simplex 24
Dimensions (W*H*D, mm)	340x295x130
Number of Cable Entrance(s) and Exit(s)	2/2
Weight (g)	2080
Optional Accessories	Adapters, Pigtails, Heat-shrink tubes
Installation (Wall-mounted/Pole-mounting)	Wall-mounted/Pole-mounting

DBP24D - 24 Fibers - Indoor & Outdoor



Dimensions and Parameters

Adapter Capacity (Fiber Count)	LC Duplex / SC Simplex 24
Dimensions (W*H*D, mm)	380x285x105
Number of Cable Entrance(s) and Exit(s)	2/2
Weight (g)	1612
Optional Accessories	Adapters, Pigtails, Heat-shrink tubes
Installation (Wall-mounted/Pole-mounting)	Wall-mounted/Pole-mounting

DBP24E - 24 Fibers - Indoor & Outdoor



Dimensions and Parameters

Adapter Capacity (Fiber Count)	LC Duplex / SC Simplex 24
Dimensions (W*H*D, mm)	300x260x105
Number of Cable Entrance(s) and Exit(s)	2/2
Weight (g)	936
Optional Accessories	Adapters, Pigtails, Heat-shrink tubes
Installation (Wall-mounted/Pole-mounting)	Wall-mounted/Pole-mounting

DBP24F - 24 Fibers - Indoor & Outdoor



Dimensions and Parameters

Adapter Capacity (Fiber Count)	LC Duplex / SC Simplex 24
Dimensions (W*H*D, mm)	330x275x100
Number of Cable Entrance(s) and Exit(s)	2/24
Weight (g)	1402
Optional Accessories	Adapters, Pigtails, Heat-shrink tubes
Installation (Wall-mounted/Pole-mounting)	Wall-mounted/Pole-mounting

DBP24G - 24 Fibers - Indoor & Outdoor

Dimensions and Parameters

Adapter Capacity (Fiber Count)	LC Duplex / SC Simplex 24
Dimensions (W*H*D, mm)	330x275x100
Number of Cable Entrance(s) and Exit(s)	2/24
Weight (g)	1402
Optional Accessories	Adapters, Pigtails, Heat-shrink tubes
Installation (Wall-mounted/Pole-mounting)	Wall-mounted/Pole-mounting



DBP24H - 24 Fibers - Indoor & Outdoor

Dimensions and Parameters

Adapter Capacity (Fiber Count)	LC Duplex / SC Simplex 24
Dimensions (W*H*D, mm)	320x275x106
Number of Cable Entrance(s) and Exit(s)	2/24
Weight (g)	1453
Optional Accessories	Adapters, Pigtails, Heat-shrink tubes
Installation (Wall-mounted/Pole-mounting)	Wall-mounted/Pole-mounting



DBP24I - 24 Fibers - Indoor & Outdoor

Dimensions and Parameters

Adapter Capacity (Fiber Count)	LC Duplex / SC Simplex 24
Dimensions (W*H*D, mm)	370x265x115
Number of Cable Entrance(s) and Exit(s)	1/2
Weight (g)	1943
Optional Accessories	Adapters, Pigtails, Heat-shrink tubes
Installation (Wall-mounted/Pole-mounting)	Wall-mounted/Pole-mounting



DBP24J - 24 Fibers - Indoor & Outdoor

Dimensions and Parameters

Adapter Capacity (Fiber Count)	LC Duplex / SC Simplex 24
Dimensions (W*H*D, mm)	430x290x95
Number of Cable Entrance(s) and Exit(s)	3/24
Weight (g)	N/A
Optional Accessories	Adapters, Pigtails, Heat-shrink tubes
Installation (Wall-mounted/Pole-mounting)	Wall-mounted/Pole-mounting



DBP32A - 32 Fibers - Indoor & Outdoor



Dimensions and Parameters

Adapter Capacity (Fiber Count)	LC Duplex / SC Simplex 32
Dimensions (W*H*D, mm)	420x305x120
Number of Cable Entrance(s) and Exit(s)	2/2
Weight (g)	N/A
Optional Accessories	Adapters, Pigtails, Heat-shrink tubes
Installation (Wall-mounted/Pole-mounting)	Wall-mounted/Pole-mounting

DBP36A - 36 Fibers - Indoor & Outdoor



Dimensions and Parameters

Adapter Capacity (Fiber Count)	LC Duplex / SC Simplex 36
Dimensions (W*H*D, mm)	425x375x130
Number of Cable Entrance(s) and Exit(s)	2/36
Weight (g)	3343
Optional Accessories	Adapters, Pigtails, Heat-shrink tubes
Installation (Wall-mounted/Pole-mounting)	Wall-mounted/Pole-mounting

DBP72A - 72 Fibers - Indoor & Outdoor



Dimensions and Parameters

Adapter Capacity (Fiber Count)	LC Duplex / SC Simplex 72
Dimensions (W*H*D, mm)	460x390x190
Number of Cable Entrance(s) and Exit(s)	2/4
Weight (g)	4917
Optional Accessories	Adapters, Pigtails, Heat-shrink tubes
Installation (Wall-mounted/Pole-mounting)	Wall-mounted/Pole-mounting

Sheet moulding compound (SMC) or sheet moulding composite is a ready-to-mould glass-fiber reinforced polyester material primarily used in compression moulding. Compared to plastic and metal ones, Zion's SMC fiber optic distribution boxes are not only excellent in physical properties like impact, yield and compressive strengths, but also cost effective.

SMC Distribution Boxes

- Ideal for outdoor environment Strong & long durability
- Fast & easy installation

DBS12A - 12 Fibers - Indoor & Outdoor

Dimensions and Parameters

Adapter Capacity (Fiber Count)	LC Duplex / SC Simplex 12
Dimensions (W*H*D, mm)	310x240x85
Number of Cable Entrance(s) and Exit(s)	2/2
Weight (g)	1636
Optional Accessories	Adapters, Pigtailed, Heat-shrink tubes
Installation (Wall-mounted/Pole-mounting)	Wall-mounted



DBS16A - 16 Fibers - Indoor & Outdoor

Dimensions and Parameters

Adapter Capacity (Fiber Count)	LC Duplex / SC Simplex 16
Dimensions (W*H*D, mm)	380x285x105
Number of Cable Entrance(s) and Exit(s)	2/2
Weight (g)	N/A
Optional Accessories	Adapters, Pigtailed, Heat-shrink tubes
Installation (Wall-mounted/Pole-mounting)	Wall-mounted



DBS24A - 24 Fibers - Indoor & Outdoor

Dimensions and Parameters

Adapter Capacity (Fiber Count)	LC Duplex / SC Simplex 24
Dimensions (W*H*D, mm)	380x285x105
Number of Cable Entrance(s) and Exit(s)	2/2
Weight (g)	2457
Optional Accessories	Adapters, Pigtailed, Heat-shrink tubes
Installation (Wall-mounted/Pole-mounting)	Wall-mounted



DBS36A - 36 Fibers - Indoor & Outdoor



Dimensions and Parameters

Adapter Capacity (Fiber Count)	LC Duplex / SC Simplex
	36
Dimensions (W*H*D, mm)	400x320x115
Number of Cable Entrance(s) and Exit(s)	2/2
Weight (g)	N/A
Optional Accessories	Adapters, Pigtails, Heat-shrink tubes
Installation (Wall-mounted/Pole-mounting)	Wall-mounted/Pole-mounting

DBS48A - 48 Fibers - Indoor & Outdoor



Dimensions and Parameters

Adapter Capacity (Fiber Count)	LC Duplex / SC Simplex
	48
Dimensions (W*H*D, mm)	400x320x115
Number of Cable Entrance(s) and Exit(s)	2/2
Weight (g)	3670
Optional Accessories	Adapters, Pigtails, Heat-shrink tubes
Installation (Wall-mounted/Pole-mounting)	Wall-mounted/Pole-mounting

DBS48B - 48 Fibers - Indoor & Outdoor



Dimensions and Parameters

Adapter Capacity (Fiber Count)	LC Duplex / SC Simplex
	24
Dimensions (W*H*D, mm)	410x360x160
Number of Cable Entrance(s) and Exit(s)	2/2
Weight (g)	3606
Optional Accessories	Adapters, Pigtails, Heat-shrink tubes
Installation (Wall-mounted/Pole-mounting)	Wall-mounted/Pole-mounting

DBS72A - 72 Fibers - Indoor & Outdoor



Dimensions and Parameters

Adapter Capacity (Fiber Count)	LC Duplex / SC Simplex
	48
Dimensions (W*H*D, mm)	490x390x145
Number of Cable Entrance(s) and Exit(s)	4/4
Weight (g)	N/A
Optional Accessories	Adapters, Pigtails, Heat-shrink tubes
Installation (Wall-mounted/Pole-mounting)	Wall-mounted/Pole-mounting

Zion-communication has the capability to design and produce metal optical distribution boxes with various dimensions and capacities on request. Our design team and metal workshop are ready to offer customized services to our clients.

- Ideal for outdoor environment
- Strong & long durability
- Fast & easy installation

Metal Distribution Boxes

DBM24A - 24 Fibers - Indoor & Outdoor

Dimensions and Parameters

Adapter Capacity (Fiber Count)	LC Duplex / SC Simplex 24
Dimensions (W*H*D, mm)	360x320x70
Number of Cable Entrance(s) and Exit(s)	1/3 (Variable)
Weight (g)	N/A
Optional Accessories	Adapters, Pigtails, Heat-shrink tubes
Installation (Wall-mounted/Pole-mounting)	Wall-mounted/Pole-mounting



DBM24B - 24 Fibers - Indoor & Outdoor

Dimensions and Parameters

Adapter Capacity (Fiber Count)	LC Duplex / SC Simplex 24
Dimensions (W*H*D, mm)	310x430x80
Number of Cable Entrance(s) and Exit(s)	2/1 (Variable)
Weight (g)	N/A
Optional Accessories	Adapters, Pigtails, Heat-shrink tubes
Installation (Wall-mounted/Pole-mounting)	Wall-mounted/Pole-mounting



DBM24C - 24 Fibers - Indoor & Outdoor

Dimensions and Parameters

Adapter Capacity (Fiber Count)	LC Duplex / SC Simplex 24
Dimensions (W*H*D, mm)	440x315x85
Number of Cable Entrance(s) and Exit(s)	1/3 (Variable)
Weight (g)	N/A
Optional Accessories	Adapters, Pigtails, Heat-shrink tubes
Installation (Wall-mounted/Pole-mounting)	Wall-mounted/Pole-mounting



DBM24D - 24 Fibers - Indoor & Outdoor



Dimensions and Parameters

Adapter Capacity (Fiber Count)	LC Duplex / SC Simplex 24
Dimensions (W*H*D, mm)	340x460x100
Number of Cable Entrance(s) and Exit(s)	4/1 (Variable)
Weight (g)	N/A
Optional Accessories	Adapters, Pigtailed, Heat-shrink tubes, Optical splitter
Installation (Wall-mounted/Pole-mounting)	Wall-mounted/Pole-mounting

DBM36A - 36 Fibers - Indoor & Outdoor



Dimensions and Parameters

Adapter Capacity (Fiber Count)	LC Duplex / SC Simplex 36
Dimensions (W*H*D, mm)	450x400x120
Number of Cable Entrance(s) and Exit(s)	2/1 (Variable)
Weight (g)	N/A
Optional Accessories	Adapters, Pigtailed, Heat-shrink tubes, Optical splitter
Installation (Wall-mounted/Pole-mounting)	Wall-mounted/Pole-mounting

DBM48A - 48 Fibers - Indoor & Outdoor



Dimensions and Parameters

Adapter Capacity (Fiber Count)	LC Duplex / SC Simplex 48
Dimensions (W*H*D, mm)	310x450x140
Number of Cable Entrance(s) and Exit(s)	5/2 (Variable)
Weight (g)	N/A
Optional Accessories	Adapters, Pigtailed, Heat-shrink tubes, Optical splitter
Installation (Wall-mounted/Pole-mounting)	Wall-mounted/Pole-mounting

DBM48B - 48 Fibers - Indoor & Outdoor



Dimensions and Parameters

Adapter Capacity (Fiber Count)	LC Duplex / SC Simplex 48
Dimensions (W*H*D, mm)	485x355x105
Number of Cable Entrance(s) and Exit(s)	1/3 (Variable)
Weight (g)	N/A
Optional Accessories	Adapters, Pigtailed, Heat-shrink tubes, Optical splitter
Installation (Wall-mounted/Pole-mounting)	Wall-mounted/Pole-mounting

Dimensions and Parameters	
Adapter Capacity (Fiber Count)	LC Duplex / SC Simplex 96
Dimensions (W*H*D, mm)	460x425x208
Number of Cable Entrance(s) and Exit(s)	1/3 (Variable)
Weight (g)	N/A
Optional Accessories	Adapters, Pigtails, Heat-shrink tubes, Optical splitter
Installation (Wall-mounted/Pole-mounting)	Wall-mounted/Pole-mounting



Plastic Splitter Boxes

Zion's optical splitter boxes are used as a termination point for the feeder cable to connect with drop cable in FTTx communication network system. Fiber splicing, splitting (with optical splitters), distribution can be done in the boxes

- Indoor & Outdoor
- Cost-effective solution
- Light and easy installation
- Short lead time

SBP08A - 8 Fibers - Indoor & Outdoor



Dimensions and Parameters

Adapter Capacity (Fiber Count)	LC Duplex / SC Simplex 8
Dimensions (W*H*D, mm)	235x212x70
Number of Cable Entrance(s) and Exit(s)	2/12
Weight (g)	742
Optional Accessories	Adapters, Pigtails, Heat-shrink tubes, Optical splitter
Installation (Wall-mounted/Pole-mounting)	Wall-mounted/Pole-mounting

SBP08B - 8 Fibers - Indoor & Outdoor



Dimensions and Parameters

Adapter Capacity (Fiber Count)	LC Duplex / SC Simplex 8
Dimensions (W*H*D, mm)	290x250x90
Number of Cable Entrance(s) and Exit(s)	3/8
Weight (g)	909
Optional Accessories	Adapters, Pigtails, Heat-shrink tubes, Optical splitter
Installation (Wall-mounted/Pole-mounting)	Wall-mounted/Pole-mounting

SBP08C - 8 Fibers - Indoor & Outdoor



Dimensions and Parameters

Adapter Capacity (Fiber Count)	LC Duplex / SC Simplex 8
Dimensions (W*H*D, mm)	310x240x85
Number of Cable Entrance(s) and Exit(s)	2/2
Weight (g)	1272
Optional Accessories	Adapters, Pigtails, Heat-shrink tubes, Optical splitter
Installation (Wall-mounted/Pole-mounting)	Wall-mounted/Pole-mounting

SBP16A - 16 Fibers - Indoor & Outdoor

Dimensions and Parameters

Adapter Capacity (Fiber Count)	LC Duplex / SC Simplex 16
Dimensions (W*H*D, mm)	350x275x100
Number of Cable Entrance(s) and Exit(s)	2/24
Weight (g)	1220
Optional Accessories	Adapters, Pigtails, Heat-shrink tubes, Optical splitter
Installation (Wall-mounted/Pole-mounting)	Wall-mounted/Pole-mounting



SBP16B - 16 Fibers - Indoor & Outdoor

Dimensions and Parameters

Adapter Capacity (Fiber Count)	LC Duplex / SC Simplex 16
Dimensions (W*H*D, mm)	350x275x100
Number of Cable Entrance(s) and Exit(s)	2/24
Weight (g)	1108
Optional Accessories	Adapters, Pigtails, Heat-shrink tubes, Optical splitter
Installation (Wall-mounted/Pole-mounting)	Wall-mounted/Pole-mounting



SBP16C - 16 Fibers - Indoor & Outdoor

Dimensions and Parameters

Adapter Capacity (Fiber Count)	LC Duplex / SC Simplex 16
Dimensions (W*H*D, mm)	340x295x130
Number of Cable Entrance(s) and Exit(s)	2/2
Weight (g)	1452
Optional Accessories	Adapters, Pigtails, Heat-shrink tubes, Optical splitter
Installation (Wall-mounted/Pole-mounting)	Wall-mounted/Pole-mounting



SBP16D - 16 Fibers - Indoor & Outdoor

Dimensions and Parameters

Adapter Capacity (Fiber Count)	LC Duplex / SC Simplex 16
Dimensions (W*H*D, mm)	420x350x132
Number of Cable Entrance(s) and Exit(s)	2/2
Weight (g)	2355
Optional Accessories	Adapters, Pigtails, Heat-shrink tubes, Optical splitter
Installation (Wall-mounted/Pole-mounting)	Wall-mounted/Pole-mounting



SBP16E - 16 Fibers - Indoor & Outdoor



Dimensions and Parameters

Adapter Capacity (Fiber Count)	LC Duplex / SC Simplex
	16
Dimensions (W*H*D, mm)	330x275x100
Number of Cable Entrance(s) and Exit(s)	2/24
Weight (g)	1402
Optional Accessories	Adapters, Pigtails, Heat-shrink tubes, Optical splitter
Installation (Wall-mounted/Pole-mounting)	Wall-mounted/Pole-mounting

SBP16F - 16 Fibers - Indoor & Outdoor



Dimensions and Parameters

Adapter Capacity (Fiber Count)	LC Duplex / SC Simplex
	16
Dimensions (W*H*D, mm)	330x275x100
Number of Cable Entrance(s) and Exit(s)	2/24
Weight (g)	1402
Optional Accessories	Adapters, Pigtails, Heat-shrink tubes, Optical splitter
Installation (Wall-mounted/Pole-mounting)	Wall-mounted/Pole-mounting

SBP16G - 16 Fibers - Indoor & Outdoor



Dimensions and Parameters

Adapter Capacity (Fiber Count)	LC Duplex / SC Simplex
	16
Dimensions (W*H*D, mm)	300x270x95
Number of Cable Entrance(s) and Exit(s)	2/24
Weight (g)	N/A
Optional Accessories	Adapters, Pigtails, Heat-shrink tubes, Optical splitter
Installation (Wall-mounted/Pole-mounting)	Wall-mounted/Pole-mounting

SBP16H - 16 Fibers - Indoor & Outdoor



Dimensions and Parameters

Adapter Capacity (Fiber Count)	LC Duplex / SC Simplex
	16
Dimensions (W*H*D, mm)	300x260x105
Number of Cable Entrance(s) and Exit(s)	2/2
Weight (g)	909
Optional Accessories	Adapters, Pigtails, Heat-shrink tubes, Optical splitter
Installation (Wall-mounted/Pole-mounting)	Wall-mounted/Pole-mounting

SBP16I - 16 Fibers - Indoor & Outdoor

Dimensions and Parameters

Adapter Capacity (Fiber Count)	LC Duplex / SC Simplex 16
Dimensions (W*H*D, mm)	380x285x105
Number of Cable Entrance(s) and Exit(s)	2/2
Weight (g)	1612
Optional Accessories	Adapters, Pigtails, Heat-shrink tubes, Optical splitter
Installation (Wall-mounted/Pole-mounting)	Wall-mounted/Pole-mounting



SBP16J - 16 Fibers - Indoor & Outdoor

Dimensions and Parameters

Adapter Capacity (Fiber Count)	LC Duplex / SC Simplex 16
Dimensions (W*H*D, mm)	430x290x95
Number of Cable Entrance(s) and Exit(s)	3/24
Weight (g)	N/A
Optional Accessories	Adapters, Pigtails, Heat-shrink tubes, Optical splitter
Installation (Wall-mounted/Pole-mounting)	Wall-mounted/Pole-mounting



SBP32A - 32 Fibers - Indoor & Outdoor

Dimensions and Parameters

Adapter Capacity (Fiber Count)	LC Duplex / SC Simplex 32
Dimensions (W*H*D, mm)	420x350x132
Number of Cable Entrance(s) and Exit(s)	2/2
Weight (g)	2367
Optional Accessories	Adapters, Pigtails, Heat-shrink tubes, Optical splitter
Installation (Wall-mounted/Pole-mounting)	Wall-mounted/Pole-mounting



SBP32B - 32 Fibers - Indoor & Outdoor

Dimensions and Parameters

Adapter Capacity (Fiber Count)	LC Duplex / SC Simplex 32
Dimensions (W*H*D, mm)	415x330x130
Number of Cable Entrance(s) and Exit(s)	2/24
Weight (g)	1986
Optional Accessories	Adapters, Pigtails, Heat-shrink tubes, Optical splitter
Installation (Wall-mounted/Pole-mounting)	Wall-mounted/Pole-mounting





Dimensions and Parameters	
Adapter Capacity (Fiber Count)	LC Duplex / SC Simplex 32
Dimensions (W*H*D, mm)	425x375x139
Number of Cable Entrance(s) and Exit(s)	2/2
Weight (g)	N/A
Optional Accessories	Adapters, Pigtails, Heat-shrink tubes, Optical splitter
Installation (Wall-mounted/Pole-mounting)	Wall-mounted/Pole-mounting

Sheet moulding compound (SMC) or sheet moulding composite is a ready-to-mould glass-fiber reinforced polyester material primarily used in compression moulding. Compared to plastic and metal ones, Zion's SMC fiber optic distribution boxes are not only excellent in physical properties like impact, yield and compressive strengths, but also cost effective.

- Ideal for outdoor environment
- Strong & long durability
- Fast & easy installation

SMC Splitter Boxes

SBS08A - 8 Fibers - Indoor & Outdoor

Dimensions and Parameters

Adapter Capacity (Fiber Count)	LC Duplex / SC Simplex 8
Dimensions (W*H*D, mm)	310x240x85
Number of Cable Entrance(s) and Exit(s)	2/2
Weight (g)	1635
Optional Accessories	Adapters, Pigtails, Heat-shrink tubes
Installation (Wall-mounted/Pole-mounting)	Wall-mounted/Pole-mounting



SBS16A - 16 Fibers - Indoor & Outdoor

Dimensions and Parameters

Adapter Capacity (Fiber Count)	LC Duplex / SC Simplex 16
Dimensions (W*H*D, mm)	350x275x100
Number of Cable Entrance(s) and Exit(s)	2/2
Weight (g)	2457
Optional Accessories	Adapters, Pigtails, Heat-shrink tubes
Installation (Wall-mounted/Pole-mounting)	Wall-mounted/Pole-mounting



SBS16B - 16 Fibers - Indoor & Outdoor

Dimensions and Parameters

Adapter Capacity (Fiber Count)	LC Duplex / SC Simplex 16
Dimensions (W*H*D, mm)	420x350x115
Number of Cable Entrance(s) and Exit(s)	2/2
Weight (g)	3510
Optional Accessories	Adapters, Pigtails, Heat-shrink tubes
Installation (Wall-mounted/Pole-mounting)	Wall-mounted/Pole-mounting



SBS32A - 32 Fibers - Indoor & Outdoor



Dimensions and Parameters

Adapter Capacity (Fiber Count)	LC Duplex / SC Simplex 32
Dimensions (W*H*D, mm)	415x330x130
Number of Cable Entrance(s) and Exit(s)	2/2
Weight (g)	3600
Optional Accessories	Adapters, Pigtails, Heat-shrink tubes, Optical splitter
Installation (Wall-mounted/Pole-mounting)	Wall-mounted/Pole-mounting

SBS32B - 32 Fibers - Indoor & Outdoor



Dimensions and Parameters

Adapter Capacity (Fiber Count)	LC Duplex / SC Simplex 32
Dimensions (W*H*D, mm)	420x350x115
Number of Cable Entrance(s) and Exit(s)	2/2
Weight (g)	3680
Optional Accessories	Adapters, Pigtails, Heat-shrink tubes, Optical splitter
Installation (Wall-mounted/Pole-mounting)	Wall-mounted/Pole-mounting

SBS32C - 32 Fibers - Indoor & Outdoor



Dimensions and Parameters

Adapter Capacity (Fiber Count)	LC Duplex / SC Simplex 32
Dimensions (W*H*D, mm)	420x350x160
Number of Cable Entrance(s) and Exit(s)	2/2
Weight (g)	4352
Optional Accessories	Adapters, Pigtails, Heat-shrink tubes, Optical splitter
Installation (Wall-mounted/Pole-mounting)	Wall-mounted/Pole-mounting

SBS64A - 64 Fibers - Indoor & Outdoor



Dimensions and Parameters

Adapter Capacity (Fiber Count)	LC Duplex / SC Simplex 64
Dimensions (W*H*D, mm)	485x415x145
Number of Cable Entrance(s) and Exit(s)	3/3
Weight (g)	N/A
Optional Accessories	Adapters, Pigtails, Heat-shrink tubes, Optical splitter
Installation (Wall-mounted/Pole-mounting)	Wall-mounted/Pole-mounting

Zion-communication metal optical splitter boxes are used as a termination point for the feeder cable to connect with drop cable in FTTx communication network system. Our experienced design team and advanced metal workshop ensures timely delivery even for customized products in large amount.

Metal Splitter Boxes

- Ideal for outdoor environment
- Strong & long durability
- Fast & easy installation

SBM16A - 16 Fibers - Indoor & Outdoor

Dimensions and Parameters

Adapter Capacity (Fiber Count)	LC Duplex / SC Simplex
	16
Dimensions (W*H*D, mm)	460x340x100
Number of Cable Entrance(s) and Exit(s)	1/4
Weight (g)	N/A
Optional Accessories	Adapters, Pigtailed, Heat-shrink tubes, Optical splitter
Installation (Wall-mounted/Pole-mounting)	Wall-mounted/Pole-mounting



SBM32A - 32 Fibers - Indoor & Outdoor

Dimensions and Parameters

Adapter Capacity (Fiber Count)	LC Duplex / SC Simplex
	32
Dimensions (W*H*D, mm)	460x340x100
Number of Cable Entrance(s) and Exit(s)	2/3
Weight (g)	N/A
Optional Accessories	Adapters, Pigtailed, Heat-shrink tubes, Optical splitter
Installation (Wall-mounted/Pole-mounting)	Wall-mounted/Pole-mounting



SBM32B - 32 Fibers - Indoor & Outdoor

Dimensions and Parameters

Adapter Capacity (Fiber Count)	LC Duplex / SC Simplex
	32
Dimensions (W*H*D, mm)	350x270x105
Number of Cable Entrance(s) and Exit(s)	1/1
Weight (g)	N/A
Optional Accessories	Adapters, Pigtailed, Heat-shrink tubes, Optical splitter
Installation (Wall-mounted/Pole-mounting)	Wall-mounted/Pole-mounting



Fiber Optic Cross Connect Cabinets

Optical cross connect cabinets (OCCs or OXCs), also known as fiber optic cross connecting cabinets, or simply optical outdoor cabinets, are versatile, fully enclosed cabinets designed for fiber optic rack-mountable hardware.

All Zion products in this family offer modular design for incremental growth and are ideal as outdoor protected environments for cross connecting installations.

- Ideal for outdoor environment
- Strong & long durability
- Fast & easy installation

GXFSMSSFDM72A-72 Fibers



Dimensions and Parameters

Material	SMC
Capacity	72 core
Exterior Dimension(H*W*D,mm)	Cabinet:600X450X280 Pedestal:180X450X280
Interior Dimension(H*W*D,mm)	560X420X260
Door Type	Single-sided front door
Distribution Modules	N/A
Number of Trunk Distribution Modules	2
Number of Branch Distribution Modules	8
Installation	Floor standing,Wall-mounted
Optional Accessories	Splice tray,Splice module, Pigtail,Splitter,Adapter

GXFSMSSFDM144A-144 Fibers



Dimensions and Parameters

Material	SMC
Capacity	144 core
Exterior Dimension(H*W*D,mm)	Cabinet:770x550X310 Pedestal:265X555X310
Interior Dimension(H*W*D,mm)	725X520X290
Door Type	Single-sided front door
Distribution Modules	N/A
Number of Trunk Distribution Modules	2
Number of Branch Distribution Modules	12
Installation	Floor standing,Wall-mounted
Optional Accessories	Splice tray,Splice module, Pigtail,Splitter,Adapter

Dimensions and Parameters

Material	SMC
Capacity	144 core
Exterior Dimension(H*W*D,mm)	Cabinet:770x550X310 Pedestal:265X555X310
Interior Dimension(H*W*D,mm)	725X520X290
Door Type	Single-sided front door
Distribution Modules	12
Number of Trunk Distribution Modules	N/A
Number of Branch Distribution Modules	N/A
Installation	Floor standing,Wall-mounted
Optional Accessories	Splice tray,Splice module, Pigtail,Splitter,Adapter



Dimensions and Parameters

Material	SMC
Capacity	144 core
Exterior Dimension(H*W*D,mm):	Cabinet:770x550X310 Pedestal:265X555X310
Interior Dimension(H*W*D,mm)	725X520X290
Door Type	Single-sided front door
Distribution Modules	12
Number of Trunk Distribution Modules	N/A
Number of Branch Distribution Modules	N/A
Installation	Floor standing,Wall-mounted
Optional Accessories	Splice tray,Splice module, Pigtail,Splitter,Adapter



Dimensions and Parameters

Material	SMC
Capacity	288 core
Exterior Dimension(H*W*D,mm)	Cabinet:1200x750X360 Pedestal:350x750X360
Interior Dimension(H*W*D,mm)	1120x720x330
Door Type	Single-sided front door
Distribution Modules	24
Number of Trunk Distribution Modules	N/A
Number of Branch Distribution Modules	N/A
Installation	Floor standing,Wall-mounted
Optional Accessories	Splice tray,Splice module, Pigtail,Splitter,Adapter



GXFSMSSFDN288B-288 Fibers



Dimensions and Parameters

Material	SMC
Capacity	288 core
Exterior Dimension(H*W*D,mm)	Cabinet:1200x750X360 Pedestal:350x750X360
Interior Dimension(H*W*D,mm)	1120x720x330
Door Type	Single-sided front door
Distribution Modules	24
Number of Trunk Distribution Modules	N/A
Number of Branch Distribution Modules	N/A
Installation	Floor standing,Wall-mounted
Optional Accessories	Splice tray,Splice module, Pigtail,Splitter,Adapter

GXFSMSSFDN288C-288 Fibers



Dimensions and Parameters

Material	SMC
Capacity	288 core
Exterior Dimension(H*W*D,mm)	Cabinet:1200x750X360 Pedestal:350x750X360
Interior Dimension(H*W*D,mm)	1120x720x330
Door Type	Single-sided front door
Distribution Modules	24
Number of Trunk Distribution Modules	N/A
Number of Branch Distribution Modules	N/A
Installation	Floor standing,Wall-mounted
Optional Accessories	Splice tray,Splice module, Pigtail,Splitter,Adapter

GXFSMSSFDA288A-288 Fibers



Dimensions and Parameters

Material	SMC
Capacity	288 core
Exterior Dimension(H*W*D,mm)	Cabinet:1100x750X380 Pedestal:350x750X380
Interior Dimension(H*W*D,mm)	1120x720x340
Door Type	Single-sided front door
Distribution Modules	24
Number of Trunk Distribution Modules	N/A
Number of Branch Distribution Modules	N/A
Installation	Floor standing,Wall-mounted
Optional Accessories	Splice tray,Splice module, Pigtail,Splitter,Adapter

Dimensions and Parameters

Material	SMC
Capacity	288 core
Exterior Dimension(H*W*D,mm)	Cabinet:1100x760X320 Pedestal:350x750X380
Interior Dimension(H*W*D,mm)	1020x720x300
Door Type	Single-sided front door
Distribution Modules	N/A
Number of Trunk Distribution Modules	3
Number of Branch Distribution Modules	24
Installation	Floor standing,Wall-mounted
Optional Accessories	Splice tray,Splice module, Pigtail,Splitter,Adapter



Dimensions and Parameters

Material	SMC
Capacity	576 core
Exterior Dimension(H*W*D,mm):	Cabinet:1200x1450x360 Pedestal:350x1450x360
Interior Dimension(H*W*D,mm)	1145x1420x320
Door Type	Single-sided left and right front door
Distribution Modules	48
Number of Trunk Distribution Modules	N/A
Number of Branch Distribution Modules	N/A
Installation	Floor standing
Optional Accessories	Splice tray,Splice module, Pigtail,Splitter,Adapter



Dimensions and Parameters

Material	SMC
Capacity	576 core
Exterior Dimension(H*W*D,mm)	Cabinet:1200x753x620 Pedestal:350x753x620
Interior Dimension(H*W*D,mm)	1120x720x588
Door Type	Double-sided front and rear door
Distribution Modules	N/A
Number of Trunk Distribution Modules	8
Number of Branch Distribution Modules	48
Installation	Floor standing
Optional Accessories	Splice tray,Splice module, Pigtail,Splitter,Adapter





Dimensions and Parameters

Material	SMC
Capacity	576 core
Exterior Dimension(H*W*D,mm)	Cabinet:1200x753x620 Pedestal:350x753x620
Interior Dimension(H*W*D,mm)	1120x720x588
Door Type	Double-sided front and rear door
Distribution Modules	N/A
Number of Trunk Distribution Modules	8
Number of Branch Distribution Modules	48
Installation	Floor standing
Optional Accessories	Splice tray,Splice module, Pigtail,Splitter,Adapter



YIPU's fiber optic cross connect cabinets not only adopt SMC but also use colled-rolled/stainless steel to adapt various environments.

With optional capacity and adjustable inside structure,our design team and metal workshop are ready to to offer customized services to our clients.

Zion's fiber optic distribution modules are designed for the purpose of optical fiber organization, storage and fiber optic fusion protection within closures, patch panels, fiber optic outdoor cabinets etc.

The simple "plug in and play" feature of Zion's fiber optic distribution modules eliminates the need for on-site termination of fiber optic cables.

Fiber Optic Distribution Modules

Model DM12A

Dimensions and Parameters

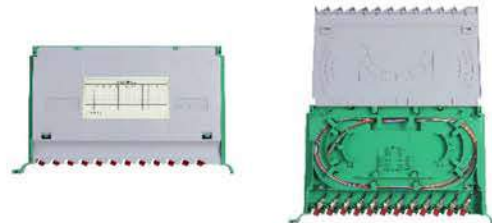
Features	Classic Design
Capacity (Fiber Count)	12
Dimension (W*H*D, mm)	19-inch Standard
Weight (g)	N/A



Model DM12B

Dimensions and Parameters

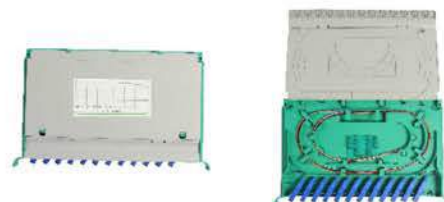
Features	Version 2.0
Capacity (Fiber Count)	12
Dimension (W*H*D, mm)	19-inch Standard
Weight (g)	N/A



Model DM12C

Dimensions and Parameters

Features	Version 3.0
Capacity (Fiber Count)	12
Dimension (W*H*D, mm)	19-inch Standard
Weight (g)	N/A



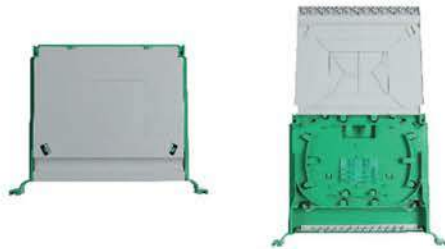
Model DM12D



Dimensions and Parameters

Features	Version 4.0
Capacity (Fiber Count)	12
Dimension (W*H*D, mm)	19-inch Standard
Weight (g)	N/A

Model DM12E



Dimensions and Parameters

Features	Fiber Splice and Distribution
Capacity (Fiber Count)	12
Dimension (W*H*D, mm)	211x180x25
Weight (g)	N/A

Model DM12F



Dimensions and Parameters

Features	Fiber Splice, Storage and Distribution
Capacity (Fiber Count)	12
Dimension (W*H*D, mm)	19-inch Standard
Weight (g)	N/A

Model DM16A



Dimensions and Parameters

Features	for Optical Splitters
Capacity (Fiber Count)	16
Dimension (W*H*D, mm)	19-inch Standard
Weight (g)	N/A

Dimensions and Parameters

Features	Double Layer
Capacity (Fiber Count)	24
Dimension (W*H*D, mm)	19-inch Standard
Weight (g)	N/A



Dimensions and Parameters

Features	for Optical Splitters
Capacity (Fiber Count)	32
Dimension (W*H*D, mm)	19-inch Standard
Weight (g)	N/A



Fiber Optic Splice Trays

Zion-communication splice trays come in a variety of configurations to accommodate different number of splices, and are widely used in optical distribution frames, distribution boxes, and splice closures, which are engineered for use with indoor or outdoor splice hardware with both loose tube and tight-buffered optical cable designs.

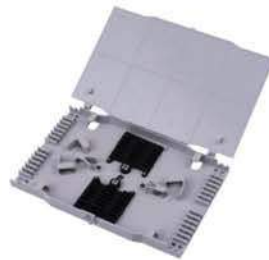
Fiber Optic Splice Trays



ST08A



ST12A



ST12B



ST12C



ST12D



ST12E



ST12F



ST12G



ST12H



ST12I



ST24A



ST24B



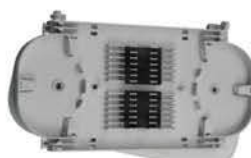
ST24C



ST24D



ST24E



ST24F



ST24G



ST36A

Technical Specifications - Fiber Optic Splice Trays

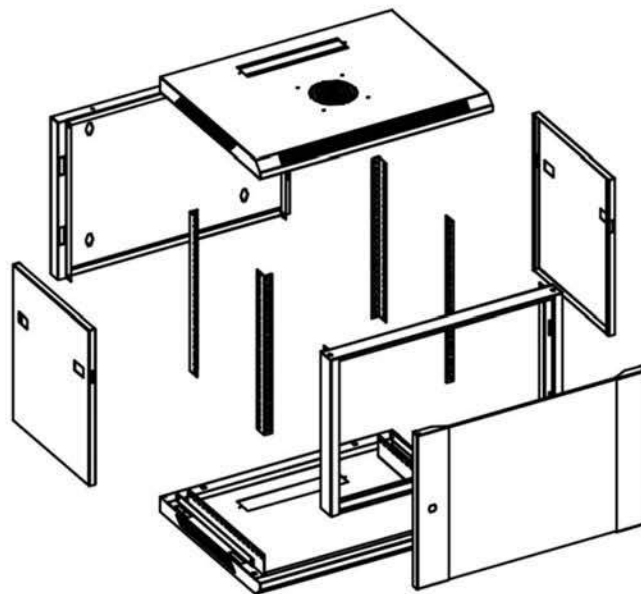
TYPE	Suitable for	Capacity (Fiber Count)	Dimensions(L*W*H, mm)	Weight
ST08A	Rubber-covered Optical Fiber	8	95x85x13	N/A
ST12A	Ordinary Optical Fiber	12	156x100x14	68
ST12B	Ordinary Optical Fiber	12	140x100x17	N/A
ST12C	Ordinary Optical Fiber	12	160x100x12	71
ST12D	Ordinary Optical Fiber	12	140x95x13	49
ST12E	Ordinary Optical Fiber	12	140x95x13	49
ST12F	Rubber-covered Optical Fiber	12	150x110x15	N/A
ST12G	Ordinary Optical Fiber	12	172x110x15	N/A
ST12H	Ordinary Optical Fiber	12	246x226x18	66
ST12I	Ordinary Optical Fiber	12	225x245x17	N/A
ST24A	Ordinary Optical Fiber	24	155x100x14	69
ST24B	Ordinary Optical Fiber	24	155x100x14	63
ST24C	Ordinary Optical Fiber	24	155x100x12	55
ST24D	Rubber-covered Optical Fiber	24	230x135x13	82
ST24E	Ordinary Optical Fiber	24	225x115x19	N/A
ST24F	Ordinary Optical Fiber	24	224x114x17	N/A
ST24G	Ordinary Optical Fiber	24	123x90x12	42
ST36A	Rubber-covered Optical Fiber	36	300x168x22	204

Metal Network Cabinets

Network cabinets support large, modular network switches by providing additional space for cable management and side-to-side airflow solutions.

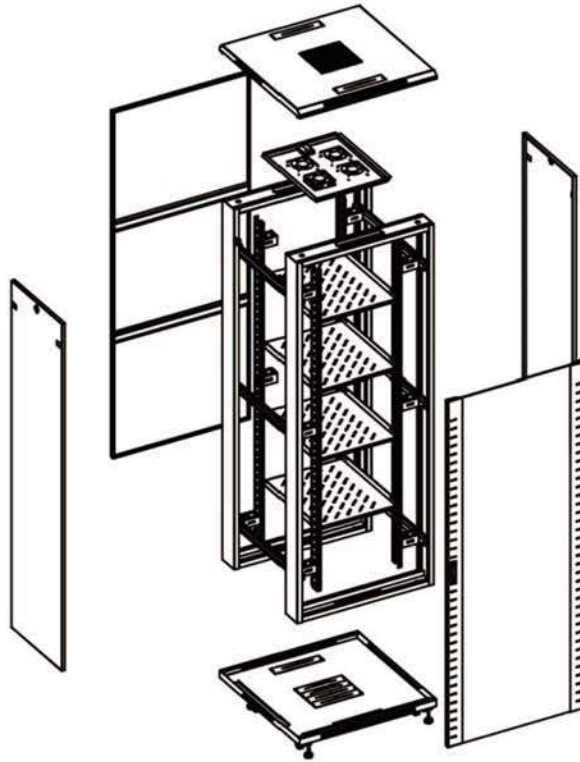
Our experienced design team and advanced metal workshop are ready to offer customized design and production services to our clients.

Indoor network cabinets solutions



Common Parts

No	Component Name	Quantity	Unit	Material	Surface Finish	Remark
1	Mounting profile	4	pc	SPCC cold rolled steel T1.2	Powder coated	----
2	Frame	1	pc	SPCC cold rolled steel T1.0	Powder coated	----
3	Small round lock	2	pc	----	Nickel coated	----
4	Toughened glass front door	1	pc	Tempered glass/SPCC T1.0	Powder coated	----
5	Side panel	2	pc	SPCC cold rolled steel T1.0	Powder coated	Removable steel door
6	Back box	1	pc	SPCC cold rolled steel T1.0	Powder coated	----
7	M6 Philip-head screw	10	pc	Steel	Color zinc coated	20pcs for over 12U
8	M6 square nut	10	pc	Steel	Color zinc coated	20pcs for over 12U



Common Parts

No	Component Name	Quantity	Unit	Material	Surface Finish	Remark
1	Top cover	1	pc	SPCC cold rolled steel T1.0	Powder coated	----
2	Fan unit	1	pc	----	Powder coated	With 2 fans
3	Mounting profile	4	pc	SPCC cold rolled steel T2.0	Powder coated	----
4	Mounting angle	6	pc	SPCC cold rolled steel T1.2	Powder coated	4pcs for lower 30U
5	Frame	2	pc	SPCC cold rolled steel T1.0	Powder coated	----
6	Spring lock	1	pc	----	Black	----
7	Toughened glass front door	1	pc	Tempered glass/SPCC T1.2	Powder coated	----
8	Side panel	2	pc	SPCC cold rolled steel T1.0	Powder coated	Removable steel door
9	Bottom panel	1	pc	SPCC cold rolled steel T1.0	Powder coated	----
10	Small round lock	1	pc	----	Nickel coated	----
11	Steel rear door	1	pc	SPCC cold rolled steel T1.0	Powder coated	----
12	M6 Philip-head screw	20	pc	Steel	Color zinc coated	40pcs for over 30U
13	M6 square nut	20	pc	Steel	Color zinc coated	40pcs for over 30U
14	Caster	4	pc	----	----	----
15	M12 adjustable feet	4	pc	----	----	----

NC07-6U

Dimensions and Parameters

Width	600mm
Depth	440mm
Capacity(U)	4U,6U,9U,12U,15U
Thickness of Steel	Mounting rail:1.2mm Frame of front door:1.2mm Others:1.0mm
Color	Light Ivory,Grey,Black
Fan	With/Without 1 fan
Material	Cold rolled steel
Door Type	Toughened glass for front door
Static Loading	500 Kg
Accessories	With screw and nut
Accessories	With expansion screw to fix the cabinet on the wall



NC06-2-9U

Dimensions and Parameters

Width	600mm
Depth	440mm
Capacity(U)	4U,6U,9U,12U,15U
Thickness of Steel	Mounting rail:1.2mm Frame of front door:1.2mm Others:1.0mm
Color	Light Ivory,Grey,Black
Fan	With/Without 1 fan
Material	Cold rolled steel
Door Type	Toughened glass for front door
Static Loading	500 Kg
Accessories	With screw and nut
Accessories	With expansion screw to fix the cabinet on the wall



NC06-9U

Dimensions and Parameters

Width	600mm
Depth	440mm
Capacity(U)	4U,6U,9U,12U,15U
Thickness of Steel	Mounting rail:1.2mm Frame of front door:1.2mm Others:1.0mm
Color	Light Ivory,Grey,Black
Fan	With/Without 1 fan
Material	Cold rolled steel
Door Type	Toughened glass for front door
Static Loading	500 Kg
Accessories	With screw and nut
Accessories	With expansion screw to fix the cabinet on the wall



Dimensions and Parameters

Width	600mm
Depth	440mm
Capacity(U)	4U,6U,9U,12U,15U
Thickness of Steel	Mounting rail:1.2mm Frame of front door:1.2mm Others:1.0mm
Color	Light Ivory,Grey,Black
Fan	With/Without 1 fan
Material	Cold rolled steel
Door Type	Toughened glass for front door
Static Loading	500 Kg
Accessories	With screw and nut
Accessories	With expansion screw to fix the cabinet on the wall



Dimensions and Parameters

Width	600mm
Depth	540mm
Capacity(U)	4U,6U,9U,12U,15U
Thickness of Steel	Mounting rail:1.2mm Frame of front door:1.2mm Others:1.0mm
Color	Light Ivory,Grey,Black
Fan	With/Without 1 fan
Material	Cold rolled steel
Door Type	Toughened glass for front door
Static Loading	500 Kg
Accessories	With screw and nut
Accessories	With expansion screw to fix the cabinet on the wall



Dimensions and Parameters

Width	600mm 800mm
Depth	600mm 800mm 1000mm
Capacity(U)	18U,20U,25U,30U,35U,38U,42U,Customized
Color	Light Ivory ,Grey,Black
Packing Type	Whole package,Unassembled package,
Thickness of Steel	Mounting Rail:1.5mm Frame of front door:1.5mm Others:1.2mm or 1.0mm
Material	Cold rolled steel
Door Type	Toughened glass for front door
Static Loading	500 Kg
Accessories	With screw and nut
Accessories	With 4pcs of castor and adjusters
Accessories	With 2pcs of fixed shelf
Accessories	With 2pcs of fan for 600x600mm cabinet
Accessories	With 4pcs of fan for 600x800mm,600x1000mm cabinet
Accessories	With 1pc power panel
Accessories	The key lock and accessories are optional



Dimensions and Parameters

Width	600mm 800mm
Depth	600mm 800mm 1000mm
Capacity(U)	18U,20U,25U,30U,35U,38U,42U,Customized
Color	Light Ivory,Grey,Black
Packing Type	Whole package,Unassembled package,
Thickness of Steel	Mounting Rail:1.5mm Frame of front door:1.5mm Others:1.2mm or 1.0mm
Material	Cold rolled steel
Door Type	Steel rear door
Static Loading	500 Kg
Accessories	With screw and nut
Accessories	With 4pcs of castor and adjusters
Accessories	With 2pcs of fixed shelf
Accessories	With 2pcs of fan for 600x600mm cabinet
Accessories	With 4pcs of fan for 600x800mm,600x1000mm cabinet
Accessories	With 1pc power panel
Accessories	The key lock and accessories are optional



Dimensions and Parameters

Width	600mm 800mm
Depth	600mm 800mm 1000mm
Capacity(U)	18U,20U,25U,30U,35U,38U,42U,Customized
Color	Light Ivory ,Grey,Black
Packing Type	Whole package,Unassembled package,
Thickness of Steel	Mounting Rail:1.5mm Frame of front door:1.5mm Others:1.2mm or 1.0mm
Material	Cold rolled steel
Door Type	Toughened glass for front door
Static Loading	500 Kg
Accessories	With screw and nut
Accessories	With 4pcs of castor and adjusters
Accessories	With 2pcs of fixed shelf
Accessories	With 2pcs of fan for 600x600mm cabinet
Accessories	With 4pcs of fan for 600x800mm,600x1000mm cabinet
Accessories	With 1pc power panel
Accessories	The key lock and accessories are optional



Dimensions and Parameters

Width	600mm 800mm
Depth	600mm 800mm 1000mm
Capacity(U)	18U,20U,25U,30U,35U,38U,42U,Customized
Color	Light Ivory,Grey,Black
Packing Type	Whole package,Unassembled package,
Thickness of Steel	Mounting Rail:1.5mm Frame of front door:1.5mm Others:1.2mm or 1.0mm
Material	Cold rolled steel
Door Type	High-density vented door
Static Loading	500 Kg
Accessories	With screw and nut
Accessories	With 4pcs of castor and adjusters
Accessories	With 2pcs of fixed shelf
Accessories	With 2pcs of fan for 600x600mm cabinet
Accessories	With 4pcs of fan for 600x800mm,600x1000mm cabinet
Accessories	With 1pc power panel
Accessories	The key lock and accessories are optional



Dimensions and Parameters

Width	600mm 800mm
Depth	600mm 800mm 1000mm
Capacity(U)	18U,20U,25U,30U,35U,38U,42U,Customized
Color	Light Ivory,Grey,Black
Packing Type	Whole package,Unassembled package,
Thickness of Steel	Mounting Rail:1.5mm Frame of front door:1.5mm Others:1.2mm or 1.0mm
Material	Cold rolled steel
Door Type	High-density vented door
Static Loading	500 Kg
Accessories	With screw and nut
Accessories	With 4pcs of castor and adjusters
Accessories	With 2pcs of fixed shelf
Accessories	With 2pcs of fan for 600x600mm cabinet
Accessories	With 4pcs of fan for 600x800mm,600x1000mm cabinet
Accessories	With 1pc power panel
Accessories	The key lock and accessories are optional



Optional accessories



2U Metal Shelf



Fan



Wheel



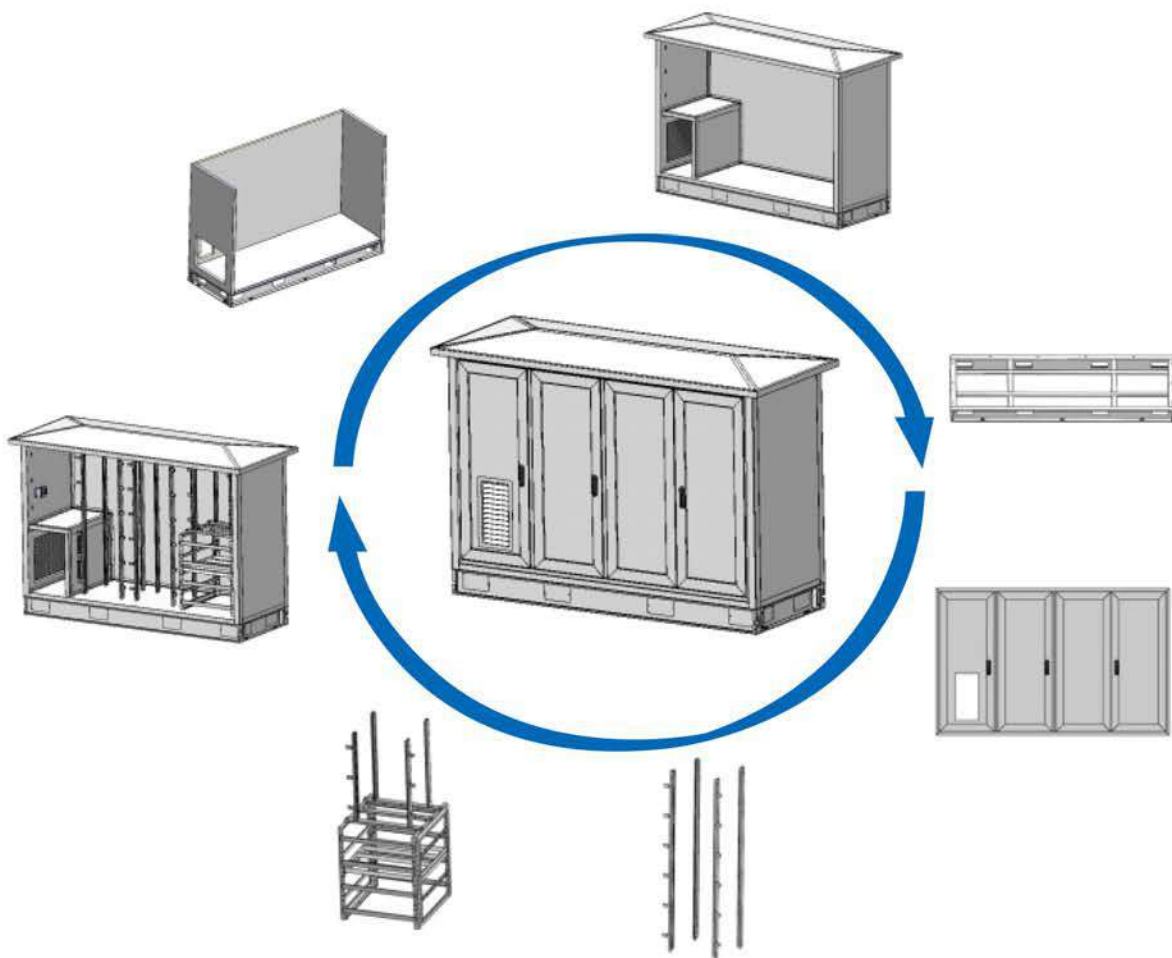
Sliding Shelf



Fixed Shelf

Zion-communication is a professional outdoor network cabinet solution provider.No matter what your application, Yipu has the sources and experience to understand the requirement and design a product to reach the most stringent standards.

YIPU outdoor network cabinet is currently being widely used for cross-connecting outdoor optical cables. This cabinet provides ideal environment for fibers to be spliced and well organized under outdoor environments.Our design team and metal workshop are ready to offer customized services to our clients.



Fiber Optic Patch Panels & ODFs

With well over a decade of industry experience, Zion is a leading supplier of fiber optic patch panels and ODFs for both commercial and residential applications. Crucial for organizing a fiber optic network, the fiber patch panel and ODFs provides a centralized location to manage network connections, and allows network engineers and electricians easy access for efficient maintenance which minimizes downtime.

Fiber Optic Patch Panel - A Series



Dimensions and Parameters

Model No.	Material	Capacity (Fiber Count)	Dimension (L*W*H, mm)
ODUM12A	Cold-rolled/Stainless Steel	12	485x240x50
ODUM24A	Cold-rolled/Stainless Steel	24	485x240x70
ODUM48A	Cold-rolled/Stainless Steel	48	485x240x120
ODUM72A	Cold-rolled/Stainless Steel	72	485x240x175
ODUM96A	Cold-rolled/Stainless Steel	96	485x240x245

Fiber Optic Patch Panel - B Series



Dimensions and Parameters

Model No.	Material	Capacity (Fiber Count)	Dimension (L*W*H, mm)
ODUM12B	Cold-rolled/Stainless Steel	12	430x260x65
ODUM24B	Cold-rolled/Stainless Steel	24	430x260x88
ODUM48B	Cold-rolled/Stainless Steel	48	430x260x132
ODUM72B	Cold-rolled/Stainless Steel	72	430x260x176
ODUM96B	Cold-rolled/Stainless Steel	96	430x260x220

ODFs - A Series



Dimensions and Parameters

Model No.	Material	Capacity (Fiber Count)	Dimension
YP-ODF-E01	Cold-rolled/Stainless Steel	24	19 Inch
YP-ODF-E02	Cold-rolled/Stainless Steel	48	19 Inch

ODFs - B Series-drawer type

Dimensions and Parameters

Model No.	Material	Capacity (Fiber Count)	Dimension
YP-ODF-B01	Cold-rolled/Stainless Steel	12	19 Inch
YP-ODF-B02	Cold-rolled/Stainless Steel	24	19 Inch
YP-ODF-B03	Cold-rolled/Stainless Steel	36	19 Inch
YP-ODF-B04	Cold-rolled/Stainless Steel	72	19 Inch



ODFs - C Serie-drawer type

Dimensions and Parameters

Model No.	Material	Capacity (Fiber Count)	Dimension
YP-ODF-C01	Cold-rolled/Stainless Steel	12	19 Inch
YP-ODF-C02	Cold-rolled/Stainless Steel	24	19 Inch



ODFs - D Series-drawer type

Dimensions and Parameters

Model No.	Material	Capacity (Fiber Count)	Dimension
YP-ODF-D01	Cold-rolled/Stainless Steel	24	19 Inch
YP-ODF-D02	Cold-rolled/Stainless Steel	48	19 Inch
YP-ODF-D03	Cold-rolled/Stainless Steel	72	19 Inch



ODFs - E Series-swing type

Dimensions and Parameters

Model No.	Material	Capacity (Fiber Count)	Dimension
YP-ODF-A01	Cold-rolled/Stainless Steel	12	19 Inch
YP-ODF-A02	Cold-rolled/Stainless Steel	24	19 Inch



Fiber Optic Terminal Boxes

Fiber optic terminal boxes, also known as terminal cases or end boxes, are used to terminate and splice optical cables with pigtails at the FTTx subscribers' end with good protection. Zion's fiber optic terminal boxes are small in size, light in weight, pleasing in appearance, and wall mounted with mechanical protection function. Check below for details.

Model TBMSC08A



Dimensions and Parameters

Material	Metal
Capacity (Fiber Count)	8
Dimension (L*W*H, mm)	220x110x40
Weight (g)	Variable

Model TBMFC08B



Dimensions and Parameters

Material	Metal
Capacity (Fiber Count)	8
Dimension (L*W*H, mm)	220x110x40
Weight (g)	Variable

Model TBMFC08A



Dimensions and Parameters

Material	Metal
Capacity (Fiber Count)	8
Dimension (L*W*H, mm)	220x110x40
Weight (g)	Variable

Model TBMSC12A

Dimensions and Parameters

Material	Metal
Capacity (Fiber Count)	12
Dimension (L*W*H, mm)	Variable on request
Weight (g)	Variable



Model TBPFC12A

Dimensions and Parameters

Material	Plastic
Capacity (Fiber Count)	12
Dimension (L*W*H, mm)	315x165x55
Weight (g)	Available on request



Model TBPST12A

Dimensions and Parameters

Material	Plastic
Capacity (Fiber Count)	12
Dimension (L*W*H, mm)	340x240x55
Weight (g)	Available on request



Model TBPFC24A

Dimensions and Parameters

Material	Plastic
Capacity (Fiber Count)	24
Dimension (L*W*H, mm)	285x132x46
Weight (g)	Available on request



Model TBMFC36A



Dimensions and Parameters

Material	Metal
Capacity (Fiber Count)	36
Dimension (L*W*H, mm)	330x220x100
Weight (g)	Variable

Model TBMSC144A



Dimensions and Parameters

Material	Metal
Capacity (Fiber Count)	144
Dimension (L*W*H, mm)	Variable on request
Weight (g)	Variable

Zion's fiber optic splice closures are designed to simplify splice management and maintenance. Intuitive engineering design reduces the installation time and complexity associated with fiber splicing in the field. No heat, adhesives, drills or powered equipment for installation or re-entry are required, just simply use a common hex key to access and install cable. Zion's fiber optic splice closures are durable, easy to install and will increase connectivity, reduce labor expenses, and last the life of your fiber optic network.

Fiber Optic Splice Closures

SCV22SM48A-48 Fibers-Dome Type



Dimensions and parameters

Max Capacity	Dimension (H*D,mm)	Weight(g)	Material	Inlets/Outlets	Protection Grade	Max Splice Tray	Ports Diameter	Sealing Structure	Installation
48	295x185	1051	PC	2/2	IP68	4	Round:Φ22mm	Screw mechanical	Aerial,Underground, Wall-mounted,Pole-mounting

SCV13HS48A-48 Fibers-Dome Type



Dimensions and parameters

Max Capacity	Dimension (H*D,mm)	Weight(g)	Material	Inlets/Outlets	Protection Grade	Max Splice Tray	Ports Diameter	Sealing Structure	Installation
48	300x185	1090	PC	1/3	IP68	4	Oval:Φ19x30 Round:Φ18mm	Heat shrinkable	Aerial,Underground, Wall-mounted,Pole-mounting

SCV22SM96A-96 Fibers-Dome Type



Dimensions and parameters

Max Capacity	Dimension (H*D,mm)	Weight(g)	Material	Inlets/Outlets	Protection Grade	Max Splice Tray	Ports Diameter	Sealing Structure	Installation
96	400x205	1640	PC	2/2	IP68	4	Round:Φ21mm	Screw mechanical	Aerial,Underground, Wall-mounted,Pole-mounting

SCV13HS96A-96 Fibers-Dome Type



Dimensions and parameters

Max Capacity	Dimension (H*D,mm)	Weight(g)	Material	Inlets/Outlets	Protection Grade	Max Splice Tray	Ports Diameter	Sealing Structure	Installation
96	410X205	1667	PC	1/3	IP68	4	Oval:Φ24x35 Round:Φ18mm	Heat shrinkable	Aerial,Underground, Wall-mounted,Pole-mounting

SCV14HS144A-144 Fibers-Dome Type



Dimensions and parameters

Max Capacity	Dimension (H*D,mm)	Weight(g)	Material	Inlets/Outlets	Protection Grade	Max Splice Tray	Ports Diameter	Sealing Structure	Installation
144	550x215	2500	PC	1/4	IP68	4	Oval:Φ41x63 Round:Φ18mm	Heat shrinkable	Aerial,Underground, Wall-mounted,Pole-mounting

SCH2SC48A-48 Fibers-Horizontal Type



Dimensions and parameters

Max Capacity	Dimension (L*W*H,mm)	Weight(g)	Material	Inlets/Outlets	Protection Grade	Max Splice Tray	Ports Diameter	Sealing Structure	Installation
48	415x165x65	1670	PC	2/2	IP68	4	Oval:Φ10x16mm	Screw mechanical	Aerial,Underground, Wall-mounted,Pole-mounting

SCH2SC96A-96 Fibers-Horizontal Type



Dimensions and parameters

Max Capacity	Dimension (L*W*H,mm)	Weight(g)	Material	Inlets/Outlets	Protection Grade	Max Splice Tray	Ports Diameter	Sealing Structure	Installation
96	450x177x110	1555	PC	2/2	IP68	4	Oval:Φ10x16mm	Screw mechanical	Aerial,Underground, Wall-mounted,Pole-mounting

SCH2SC48B-48 Fibers-Horizontal Type



Dimensions and parameters

Max Capacity	Dimension (L*W*H,mm)	Weight(g)	Material	Inlets/Outlets	Protection Grade	Max Splice Tray	Ports Diameter	Sealing Structure	Installation
48	430x190x110	2154	PC	2/2	IP68	4	Round:Φ19mm	Screw mechanical	Aerial,Underground, Wall-mounted,Pole-mounting

SCH2SC96B-96 Fibers-Horizontal Type



Dimensions and parameters

Max Capacity	Dimension (L*W*H,mm)	Weight(g)	Material	Inlets/Outlets	Protection Grade	Max Splice Tray	Ports Diameter	Sealing Structure	Installation
96	430x190x140	2460	PC	2/2	IP68	6	Round:Φ19mm	Screw mechanical	Aerial,Underground, Wall-mounted,Pole-mounting

SCH3SC48B-48 Fibers-Horizontal Type



Dimensions and parameters

Max Capacity	Dimension (L*W*H,mm)	Weight(g)	Material	Inlets/Outlets	Protection Grade	Max Splice Tray	Ports Diameter	Sealing Structure	Installation
48	430x190x110	2222	PC	3/3	IP68	4	Round:Φ13/17/19mm	Heat shrinkable	Aerial,Underground, Wall-mounted,Pole-mounting

SCH3SC96B-96 Fibers-Horizontal Type



Dimensions and parameters

Max Capacity	Dimension (L*W*H,mm)	Weight(g)	Material	Inlets/Outlets	Protection Grade	Max Splice Tray	Ports Diameter	Sealing Structure	Installation
96	430x190x140	2530	PC	3/3	IP68	6	Round:Φ13/17/19mm	Screw mechanical	Aerial,Underground, Wall-mounted,Pole-mounting

SCH4SC48B-48 Fibers-Horizontal Type



Dimensions and parameters

Max Capacity	Dimension (L*W*H,mm)	Weight(g)	Material	Inlets/Outlets	Protection Grade	Max Splice Tray	Ports Diameter	Sealing Structure	Installation
48	430x190x110	2126	PC	4/4	IP68	4	Round:Φ13/17mm	Heat shrinkable	Aerial,Underground, Wall-mounted,Pole-mounting

SCH4SC96B-96 Fibers-Horizontal Type



Dimensions and parameters

Max Capacity	Dimension (L*W*H,mm)	Weight(g)	Material	Inlets/Outlets	Protection Grade	Max Splice Tray	Ports Diameter	Sealing Structure	Installation
96	430x190x140	2401	PC	4/4	IP68	6	Round:Φ13/17mm	Heat shrinkable	Aerial,Underground, Wall-mounted,Pole-mounting

SCH2SC24B-24 Fibers-Horizontal Type



Dimensions and parameters

Max Capacity	Dimension (L*W*H,mm)	Weight(g)	Material	Inlets/Outlets	Protection Grade	Max Splice Tray	Ports Diameter	Sealing Structure	Installation
24	209x146x30	881	PC	2/2	IP68	2	Round:Φ12mm	Screw mechanical	Aerial,Underground, Wall-mounted,Pole-mounting

SCB48A-48 Fibers-Box Type



Dimensions and parameters

Max Capacity	Dimension (L*W*H,mm)	Weight(g)	Material	Inlets/Outlets	Protection Grade	Max Splice Tray	Ports Diameter	Sealing Structure	Installation
48	280x200x85	764	PC	1/1	IP68	4	Round:Φ25mm	Screw mechanical	Aerial,Underground, Wall-mounted,Pole-mounting

SCH4SP48B-48 Fibers-Horizontal Type



Dimensions and parameters

Max Capacity	Dimension (L*W*H,mm)	Weight(g)	Material	Inlets/Outlets	Protection Grade	Max Splice Tray	Ports Diameter	Sealing Structure	Installation
48	445x225x110	2637	PC	4/4	IP68	4	Round:Φ12/17mm	Screw mechanical	Aerial,Underground, Wall-mounted,Pole-mounting

SCH2SP96B-96 Fibers-Horizontal Type



Dimensions and parameters

Max Capacity	Dimension (L*W*H,mm)	Weight(g)	Material	Inlets/Outlets	Protection Grade	Max Splice Tray	Ports Diameter	Sealing Structure	Installation
96	445x220x105	1626	PC	2/2	IP68	4	Round:Φ22mm	Screw mechanical	Aerial,Underground, Wall-mounted,Pole-mounting

SCH6SP96A-96 Fibers-Horizontal Type



Dimensions and parameters

Max Capacity	Dimension (L*W*H,mm)	Weight(g)	Material	Inlets/Outlets	Protection Grade	Max Splice Tray	Ports Diameter	Sealing Structure	Installation
96	445x195x120	2450	PC	6/10	IP68	4	Round:Φ17/40mm	Heat shrinkable	Aerial,Underground, Wall-mounted,Pole-mounting

SCH2SP144A-144 Fibers-Horizontal Type



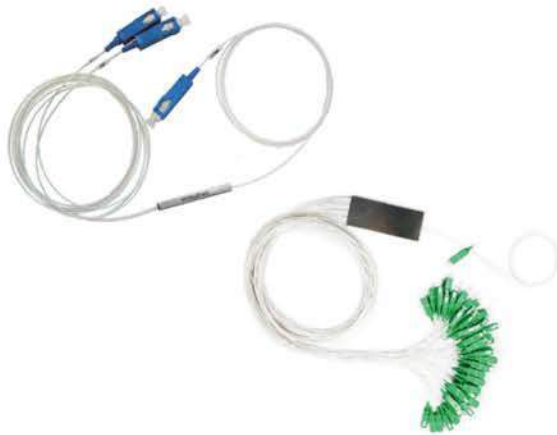
Dimensions and parameters

Max Capacity	Dimension (L*W*H,mm)	Weight(g)	Material	Inlets/Outlets	Protection Grade	Max Splice Tray	Ports Diameter	Sealing Structure	Installation
144	645x220x165	6000	PC	2/2	IP68	6	Round:Φ25mm	Screw mechanical	Aerial,Underground, Wall-mounted,Pole-mounting

Fiber Optic Splitters

The fiber optic splitter is one of the most important passive devices in the optical fiber link. Optical splitters from Zion's adopt the Planar Lightwave Circuit (PLC) technology, and are available in split ratio 2, 4, 8, 16, 32 and 64. Suitable for FTTx network, LAN/WAN or CATV network.

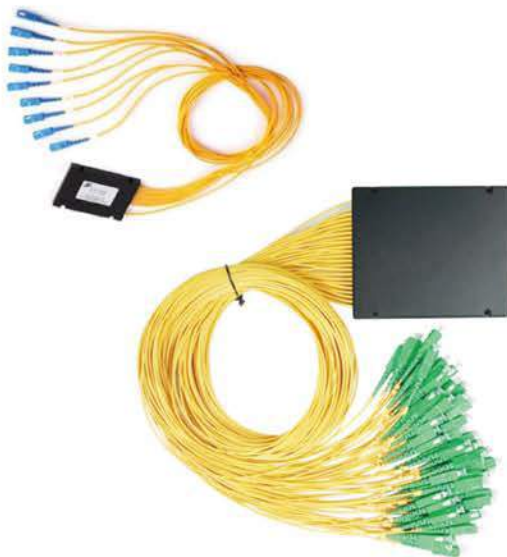
Tube Type



Dimensions and parameters

Model No.	Type	Configuration	Fiber Type	Connector Type
TSP01A1X2	Tube	1x2	0.9mm	SC/FC/LC UPC/APC SM/MM
TSP01A1X4	Tube	1x4	0.9mm	SC/FC/LC UPC/APC SM/MM
TSP01A1X8	Tube	1x8	0.9mm	SC/FC/LC UPC/APC SM/MM
TSP01A1X16	Tube	1x16	0.9mm	SC/FC/LC UPC/APC SM/MM
TSP01A1X32	Tube	1x32	0.9mm	SC/FC/LC UPC/APC SM/MM
TSP01A1X64	Tube	1x64	0.9mm	SC/FC/LC UPC/APC SM/MM

Cassette Type



Dimensions and parameters

Model No.	Type	Configuration	Fiber Type	Connector Type
ASP01A1X4	Cassette	1x4	2.0,3.0mm	SC/FC/LC UPC/APC SM/MM
ASP01A1X8	Cassette	1x8	2.0,3.0mm	SC/FC/LC UPC/APC SM/MM
ASP01A1X16	Cassette	1x16	2.0,3.0mm	SC/FC/LC UPC/APC SM/MM
ASP01A1X32	Cassette	1x32	2.0,3.0mm	SC/FC/LC UPC/APC SM/MM
ASP01A1X64	Cassette	1x64	2.0,3.0mm	SC/FC/LC UPC/APC SM/MM
ASP01A2X4	Cassette	2x4	2.0,3.0mm	SC/FC/LC UPC/APC SM/MM
ASP01A2X8	Cassette	2x8	2.0,3.0mm	SC/FC/LC UPC/APC SM/MM
ASP01A2X16	Cassette	2x16	2.0,3.0mm	SC/FC/LC UPC/APC SM/MM
ASP01A2X32	Cassette	2x32	2.0,3.0mm	SC/FC/LC UPC/APC SM/MM
ASP01A2X64	Cassette	2x64	2.0,3.0mm	SC/FC/LC UPC/APC SM/MM



Dimensions and parameters

Model No.	Type	Configuration	Fiber Type	Connector type
MSP01A1X4	Module	1x4	0.9mm	SC/FC/LC UPC/APC SM/MM
MSP01A1X8	Module	1x8	0.9mm	SC/FC/LC UPC/APC SM/MM
MSP01A1X16	Module	1x16	0.9mm	SC/FC/LC UPC/APC SM/MM
MSP01A1X32	Module	1x32	0.9mm	SC/FC/LC UPC/APC SM/MM



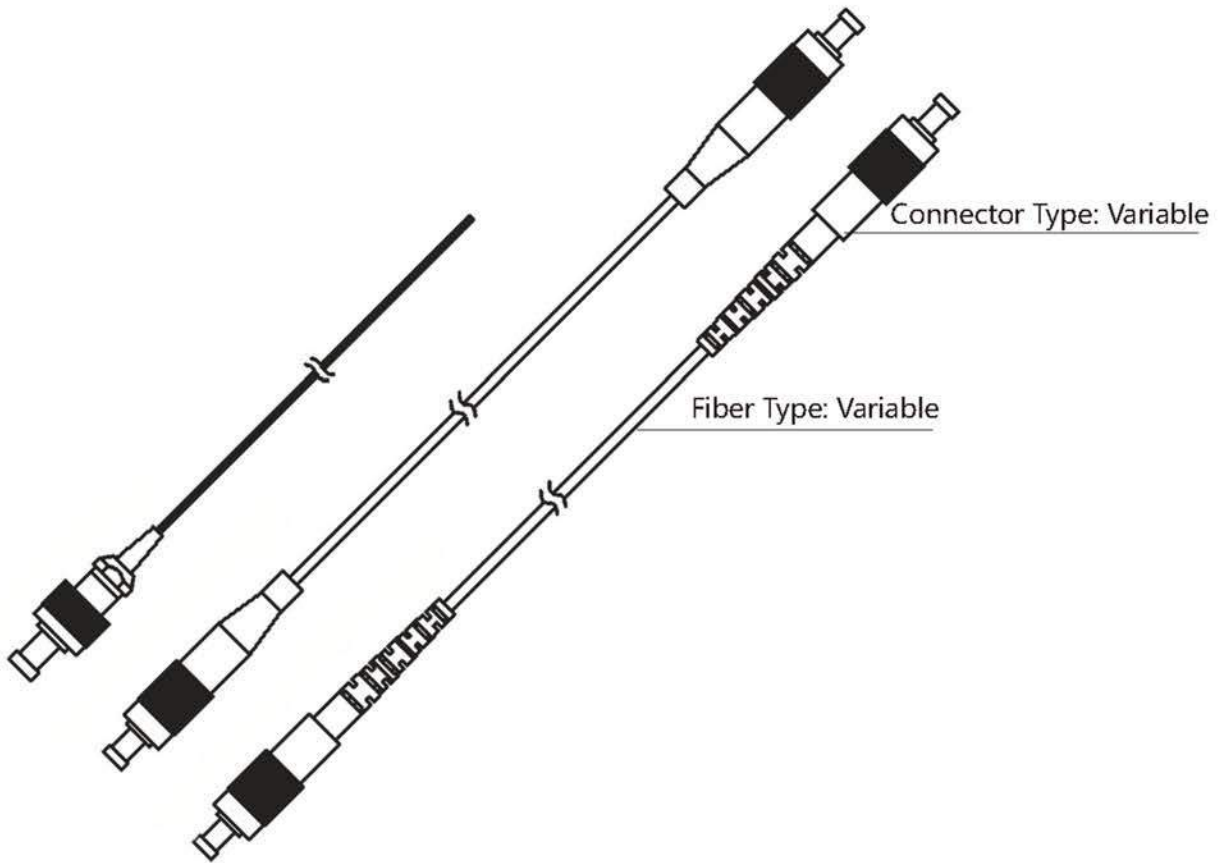
Dimensions and parameters

Model No.	Type	Configuration	Fiber Type	Connector Type
RSP01A1X8	Rack mount	1x8	2.0,3.0mm	SC/FC/LC UPC/APC SM/MM
RSP01A1X16	Rack mount	1x16	2.0,3.0mm	SC/FC/LC UPC/APC SM/MM
RSP01A1X32	Rack mount	1x32	2.0,3.0mm	SC/FC/LC UPC/APC SM/MM
RSP01A12X16	Rack mount	2x16	2.0,3.0mm	SC/FC/LC UPC/APC SM/MM

Fiber Optic Patch Cords & Pigtails

Zion's fiber optic patch cords and pigtails are with premium grade connectors and typical 2.0 mm outer diameter fiber optic cables. Available in simplex, duplex or multiplex type, in single-mode or multi-mode, with different cable colors, cable diameters and jacket types, as per customer requirements.

Fiber Optic Patch Cords & Pigtails



Technical Specifications-Fiber Optic Patch Cords & Pigtails

Connector Type	SC Simplex/Duplex	LC Simplex/Duplex	FC Simplex/Duplex	ST Simplex/Duplex			
Connector Grade			APC	UPC			
Fiber Type	0.9mm SM/MM	2.0mm SM/MM	3.0mm SM/MM	OM1	OM2	OM3	
Fiber Length		1m	3m	5m	Customized		

Fiber optic adapters (or couplers) are designed to connect two fiber optic cables together. Zion's fiber optic adapters are available for all common connector types, e.g. SC, FC, ST, LC, MU, MT-RJ, E2000 and MTP/MPO, in both single-mode and multi-mode.

Fiber Optic Adapters

SC Adapters



SC/UPC Simplex



SC/APC Simplex



SC/UPC Simplex, Metal



SC/UPC Duplex



SC/APC Duplex

FC Adapters



FC/UPC Square



FC/APC Round



FC/UPC Round



FC/APC Duplex



FC/UPC Duplex

LC Adapters



LC/APC Simplex



LC/UPC Duplex



LC/APC Duplex



LC/UPC Quad



LC/APC Quad

ST Adapters



ST/Simplex

ST/Duplex

And More ...



E2000 Adapter



MT-RJ Adapter



MU Adapter



MTP/MPO Adapter

SC Fast Connector



FC Fast Connector





SC-FC Simplex



SC-FC Duplex



SC-ST Simplex



SC-ST Duplex



FC-ST Simplex
(Square Shape)



FC-ST Simplex
(Rectangular Shape)



FC-ST Duplex
(Rectangular Shape)



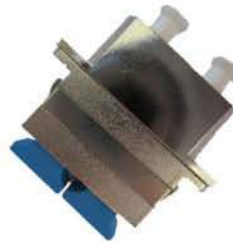
LC-ST Simplex



LC-ST Simplex



SC-LC Simplex



SC-LC Duplex



FC-LC Simplex



FC-E2000 Simplex

Main Distribution Frame (MDF) Components

Main Distribution Frame (MDF) provides flexibility in assigning facilities, at lower cost and higher capacity than traditional copper-wire patch panels. As a veteran manufacturer of telecommunications equipment, Zion's offers a wide range of MDF components for copper-wire telecommunications networks.

Protector Units, Protector Magazines



FA15-210



FA15-201



FA15-568Z



FA15-568S



FA15-568-1



FA15-568H



FA15-568B



FA15-568B2



FA15-568B6



FA15-568ER



FA15-568T



FA15-568-2



FA15-568-3



FA15-568-A



FA15-568-B



FA15-568-C

Terminal Blocks



TB-10A



TB-25A



TB-100A



TB-16A



TB-25B



TB-32A



TB-32B



TB-32C

Disconnection & Connection Modules, STG Modules



KHB-08



KHB-10



KME-10A/B



KMD-16



KML-10C



KML-10D



KMP-10D



KML-20



KME-10



STGM-08D



STGM-10C



STGM-16D

Audio Distribution Frames (ADF)



ADF-100



ADF-150



ADF-200

ADF Frames & Racks



ADF-F-100



ADF-F-150



ADF-R-120



STBM-01



STBM-02



STBB-01



STBB-02



STBB-05



STBB-08



STBB-10A



STBB-10B



STBB-10C



DB-ID-10N



DB-ID-20N



DB-ID-30N



DB-ID-50N



DB-OD-10



DB-OD-30



DB-OD-50

Punchdown Tools



FA15-201-PT



FA15-201-RT

As a veteran manufacturer of telecommunications equipment, Zion's offers a wide range of structured cabling components for LAN/WAN, CATV as well as FTTx networks.

Structured Cabling

CAT3, CAT5e and CAT6 Patch Panels, Cable Managers



CAT3-25P



CAT3-50P



DDF-08



DDF-16



CAT5e-06



CAT5e-12



CAT5e-24



CAT5e-24-2



CAT5e-48



CAT6-24



CAT6-48



CM-05



CM-08



CM-12



CM-24



CM-24X



CM-24P

110 Punch Blocks



110PB-50-01



110PB-50-02



110PB-100-01



110PB-100-02



110PB-100-03



110PB-200-03



110PB-50



110PB-4/110PB-5



KM-01



KM-02



KM-03



KM-04



KWP-01A



KWP-01



KWP-02



KWP-04



OWP-01



OWP-02



ODB-02A



ODB-02B

Punchdown Tools



NT-KR-01



NT-KR-02



NT-CL-01



NT-110-01



NT-PT-01



NT-110-05



NT-DXD-01



NT-DXD-02



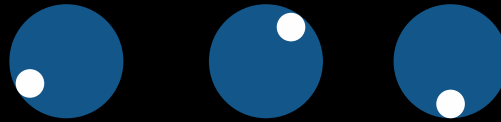
NT-DXD-03A



NT-DXD-03B



For more information, please visit us at:
www.zion-communication.com



■ CONNECT US

FTTH
EQUIPMENT
PRODUCT



Online Service:

Skype: abc1.2

ICQ: 640846810

Whatsapp: +86 13777460328

Email: james@zion-communication.com